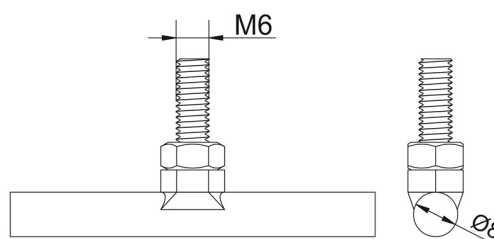
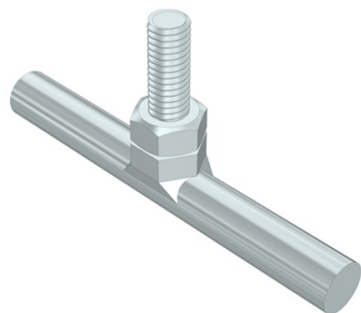


Other products

Adapter for mounting cable trays /OC/

CATALOG NO. : AH100001OC



GTIN	5907675565627
Material	electro-galvanized steel
Others	When combined with the AH12140P concrete bracket, it creates a ready-to-install cable tray product.

Due to continuous technical development, AH Hardt sp.j. reserves the right to introduce technical and technological changes of the products. The illustrations shown are not binding.