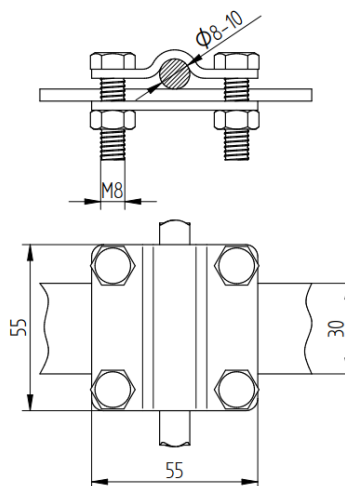


DATA SHEET

Cross-connector L-55 for wire and flat conductor

Product code

101512



Technical description

Connector for cross-connection and T-type connections. The connector is used for $\phi(8-10)$ mm wire and cooper ≤ 30 mm for lightning protection, earthing and equipotential bonding systems. Mounting by means of 4 M8x25 hexagon socket head screws. Maximum lightning current carrying capacity 50kA.

Technical data

Material	Hot dip galvanized steel, StZn
Weight (1 unit)	0,2 kg
In accordance with the standard	EN-62305
Meets the requirements of the standard	EN 62561-1
Ean code	5903699800225
Customs code	83024190

Due to continuous technological development, the company reserves the right to change the technical parameters of the products.
The illustrations shown are not binding.