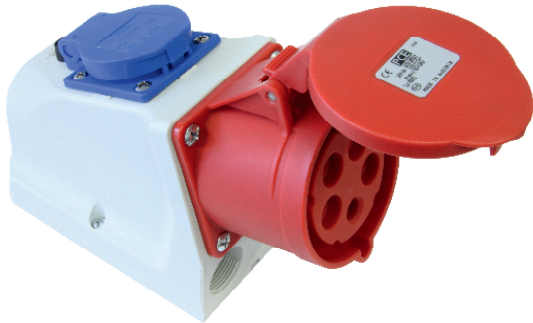


„Combo“ Wall socket 16A 3P+Z+N 400V IP44

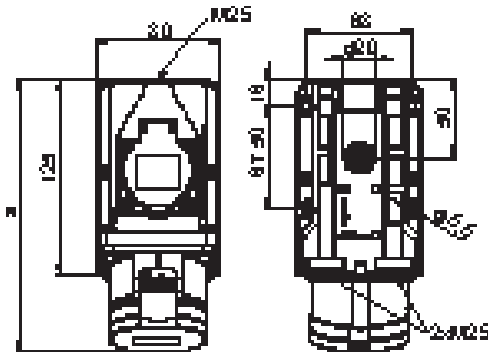
Cat. No. **9215-6f.**



Connection
to the future

- with screw terminals
- wall socket with integrated safety socket according to Belgian/French system
- connecting terminals up to 10 mm²
- **ready wired**
- for Combo-wall socket 32A the safety socket is protected by fuse (10A slow)
- housing material: PA6
- contacts: brass
 - to order nickel-plated contacts please add a „v“ e.g. 9215-6fv
- top, 2x bottom or rear entry
- incl. threaded cable grommet

Dimer



	16 Amp		
Poles	3	4	5
a	175	176	176
b	127	130	133
M	3x25	3x25	3x25
Connection type:	Screw terminal		
Wire flexible [mm ²]	1-2,5		
solid [mm ²]	1-4		
Contact screws CEE [Ncm]	100 Ncm		
Screw terminals [Ncm]	120 Ncm		
Weight [g]	387	404	423

PCE Polska Sp. z o. o.

ul. Zielona 12
58-200 Dzierżoniów
TEL. +48 74 831 76 00
FAX. + 48 74 831 17 00
MAIL: pce@pce.pl
www.pce.pl