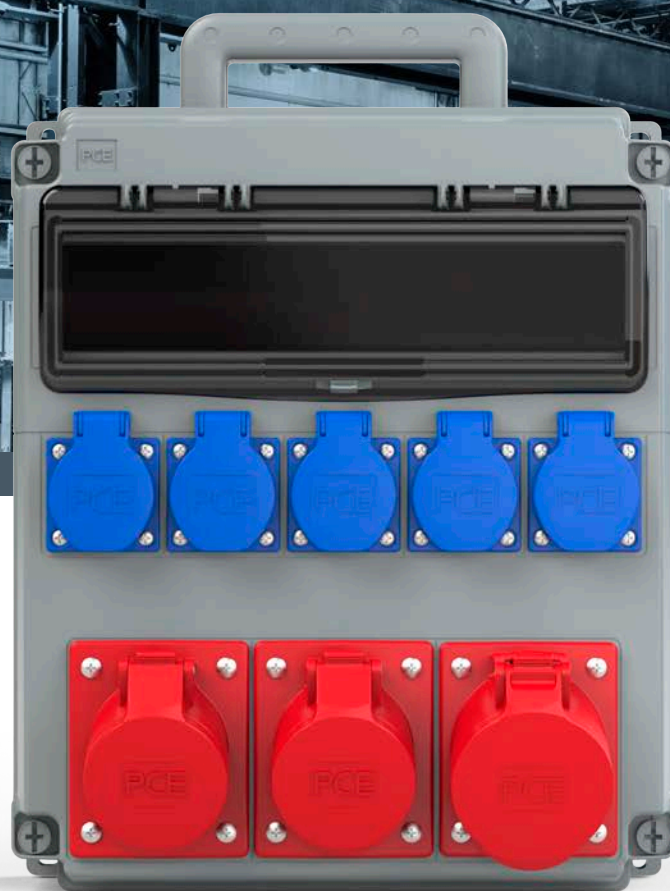


PCE

Connection
to the future



OPOLE

NEW DISTRIBUTION BOX - STATIONARY AND MOBILE

OPOLE

DISTRIBUTION BOX - STATIONARY AND MOBILE

Distribution boxes **OPOLE** are designed for indoor and outdoor applications - available in various configurations and sizes.

The massive, high-quality housing made of ABS plastic, tested and certified in accordance with IEC/EN 62208* has a wide range of properties. These include: high impact and fatigue resistance of the material, excellent thermal stability, dielectric fatigue, invulnerability to weather conditions and UV radiation, good insulating properties and resistance to many chemical compounds. The material does not contain cadmium, red phosphorus or halogens (fluorine, chlorine, bromine, iodine and astat).

OPOLE series of distribution boxes work perfectly in all conditions.

Degree of protection: IP54



Quality doesn't have to be expensive!



Bet on quality and modernity with PCE!

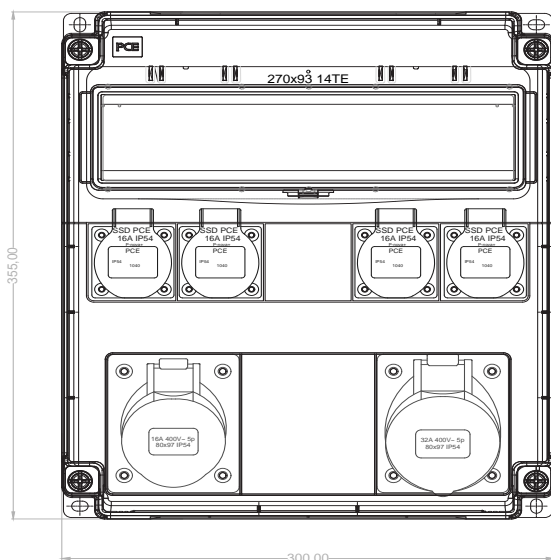
- ✓ High quality PCE at market price,
- ✓ Unique color,
- ✓ Modern design,
- ✓ Plastic screws with a thread break lock,
- ✓ Click-through inspection fuse window to guarantee IP rating,
- ✓ Integrated ergonomic handle in the mobile version, no need to drill into the enclosure,
- ✓ Quick and easy to install,
- ✓ For professional use- industrial and domestic, e.g. in workshops, garages, construction sites,
- ✓ Parameterization and configuration after prior market research,
- ✓ Polish engineering thought- from concept to implementation,
- ✓ Different configurations available at the customer's request (as far as technically feasible),
- ✓ Possibility to mount sockets with amperage up to 32A.

Cat. No. : 909110002WE

Equipment:

Enclosure	Dimensions HxWxD	Description
Type OPOLE-stationary	355x300x128 mm	<p>Enclosure type OPOLE IP54, IP65/ IP66, IP67:</p> <ul style="list-style-type: none"> • straight cover, • one fuse window 14-module, without protection, • Vario connector N+PE, rail TH35-7,5, • wired sockets, • RAL 7046 <p>1 x CEE 32A 5P 400V 1 x CEE 16A 5P 400V 4 x GS 16A 230V</p>

Dimensions:



OPOLE

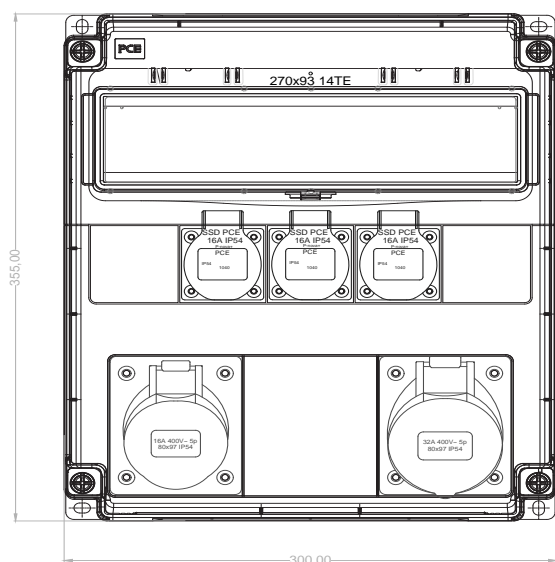
DISTRIBUTION BOX - STATIONARY AND MOBILE

Cat. No. : 909110003WE

Equipment:

Enclosure	Dimensions HxWxD	Description
Type OPOLE-stationary	355x300x128 mm	<p>Enclosure type OPOLE IP54, IP65/ IP66, IP67:</p> <ul style="list-style-type: none">• straight cover,• one fuse window 14-module, without protection,• Vario connector N+PE, rail TH35-7,5,• wired sockets,• RAL 7046 <p>1 x CEE 32A 5P 400V 1 x CEE 16A 5P 400V 3 x GS 16A 230V</p>

Dimensions:

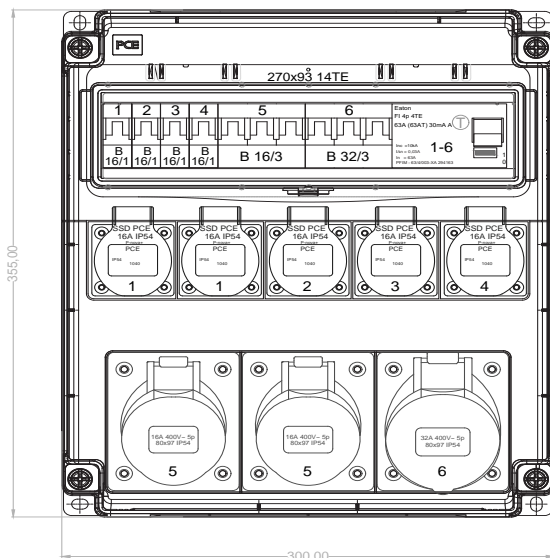


Cat. No. : 909110004WE

Equipment:

Enclosure	Dimensions HxWxD	Description
Type OPOLE-stationary	355x300x128 mm	<p>Enclosure type OPOLE IP54, IP65/ IP66, IP67:</p> <ul style="list-style-type: none"> • straight cover, • one fuse window 14-module, with protecion, • Vario connector L1,L2,L3,N,PE, rail TH35-7,5, • wired sockets, • RAL 7046 <p>1 x CEE 32A 5P 400V 2 x CEE 16A 5P 400V 5 x GS 16A 230V</p> <p>1 x MCB 32A 3p-B 1 x MCB 16A 3p-B 4 x MCB 16A 1p-B 1 x RCD 63A/4/0.03A</p>

Dimensions:



* It is possible to order distribution box with C-type protections on request.

OPOLE

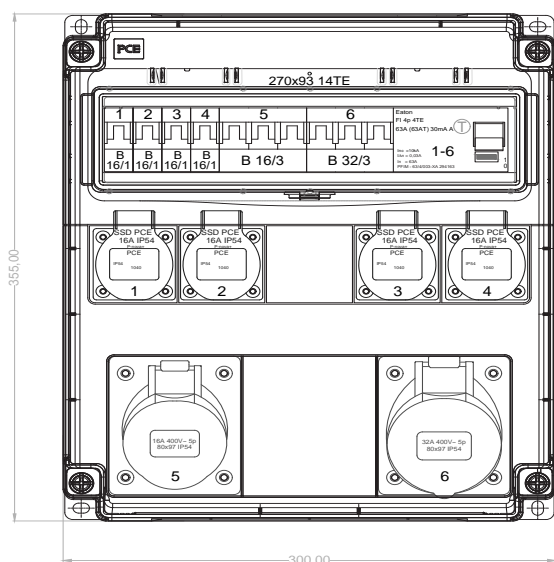
DISTRIBUTION BOX - STATIONARY AND MOBILE

Cat. No. : 909110005WE

Equipment:

Enclosure	Dimensions HxWxD	Description
Type OPOLE-stationary	355x300x128 mm	<p>Enclosure type OPOLE IP54, IP65/ IP66, IP67:</p> <ul style="list-style-type: none"> • straight cover, • one fuse window 14-module, with protection, • Vario connector L1,L2,L3,N,PE, rail TH35-75, • wired sockets, • RAL 7046 <p>1 x CEE 32A 5P 400V 1 x CEE 16A 5P 400V 4 x GS 16A 230V</p> <p>1 x MCB 32A 3p-B 1 x MCB 16A 3p-B 4 x MCB 16A 1p-B 1 x RCD 63A/4/0.03A</p>

Dimensions:



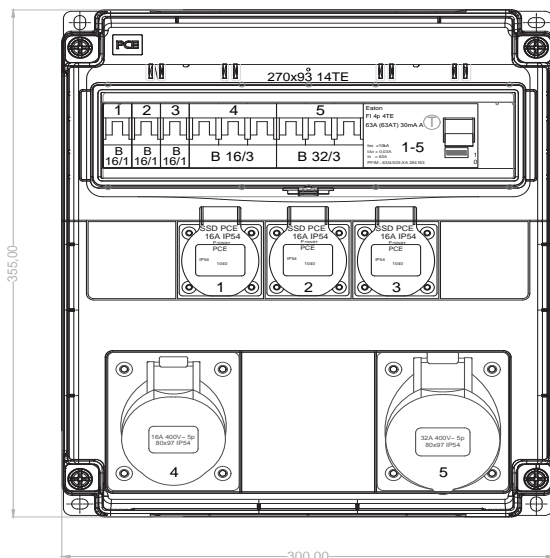
* It is possible to order distribution box with C-type protections on request.

Cat. No. : 909110006WE

Equipment:

Enclosure	Dimensions HxWxD	Description
Type OPOLE-stationary	355x300x128 mm	<p>Enclosure type OPOLE IP54, IP65/ IP66, IP67:</p> <ul style="list-style-type: none"> • straight cover, • one fuse window 14-module, with protection, • Vario connector L1,L2,L3,N,PE, rail TH35-7,5, • wired sockets, • RAL 7046 <p>1 x CEE 32A 5P 400V 1 x CEE 16A 5P 400V 3 x GS 16A 230V</p> <p>1 x MCB 32A 3p-B 1 x MCB 16A 3p-B 3 x MCB 16A 1p-B 1 x RCD 63A/4/0.03A</p>

Dimensions:



* It is possible to order distribution box with C-type protections on request.

OPOLE

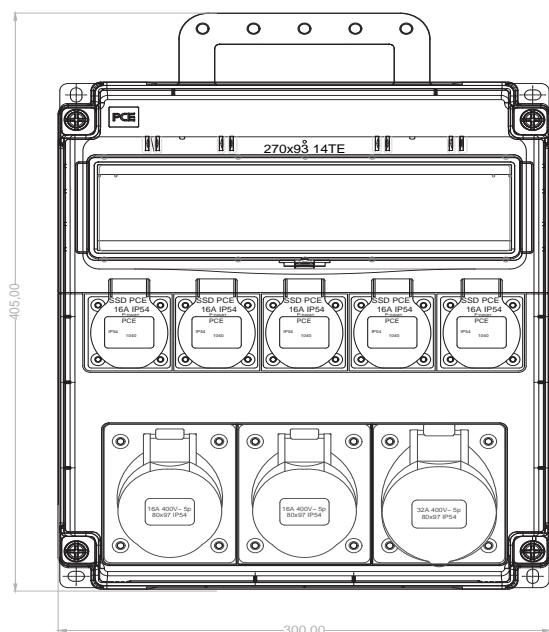
DISTRIBUTION BOX - STATIONARY AND MOBILE

Cat. No. : 909210001WE

Equipment:

Enclosure	Dimensions HxWxD	Description
Type OPOLE- portable	405x300x128 mm	<p>Enclosure type OPOLE IP54, IP65/ IP66, IP67:</p> <ul style="list-style-type: none"> • straight cover, plastic handle, • one fuse window 14-module, without protection, • Vario connector N+PE, rail TH35-7,5, • wired sockets, • RAL 7046 <p>1 x CEE 32A 5P 400V 2 x CEE 16A 5P 400V 5 x GS 16A 230V</p>

Dimensions:

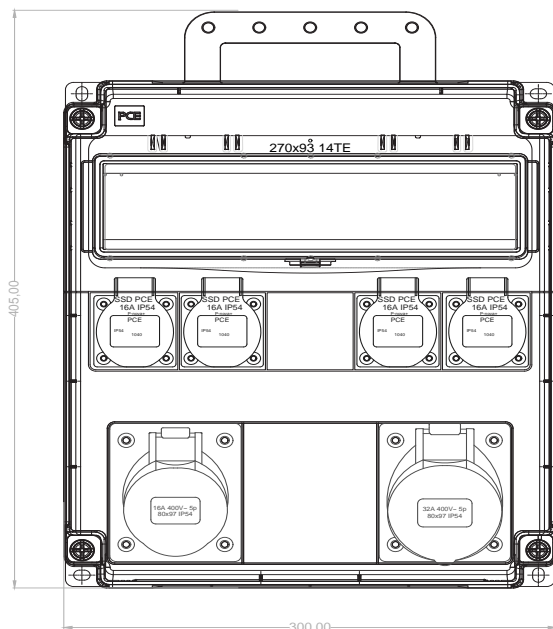


Cat. No. : 909210002WE

Equipment:

Enclosure	Dimensions HxWxD	Description
Type OPOLE-portable	405x300x128 mm	<p>Enclosure type OPOLE IP54, IP65/ IP66, IP67:</p> <ul style="list-style-type: none"> • straight cover, plastic handle, • one fuse window 14-module, without protection, • Vario connector N+PE, rail TH35-7,5, • wired sockets, • RAL 7046 <p>1 x CEE 32A 5P 400V 1 x CEE 16A 5P 400V 4 x GS 16A 230V</p>

Dimensions:



OPOLE

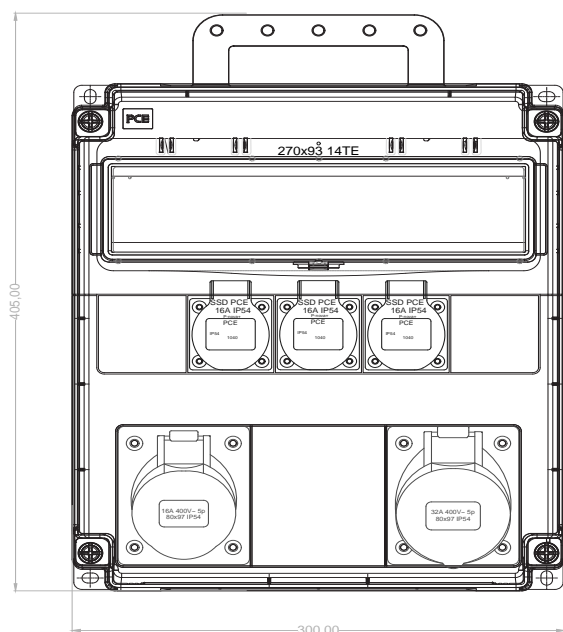
DISTRIBUTION BOX - STATIONARY AND MOBILE

Cat. No. : 909210003WE

Equipment:

Enclosure	Dimensions HxWxD	Description
Type OPOLE- portable	405x300x128 mm	Enclosure type OPOLE IP54, IP65/ IP66, IP67: <ul style="list-style-type: none">• straight cover, plastic handle,• one fuse window 14-module, without protection,• Vario connector N+PE, rail TH35-7,5,• wired sockets,• RAL 7046 1 x CEE 32A 5P 400V 1 x CEE 16A 5P 400V 3 x GS 16A 230V

Dimensions:

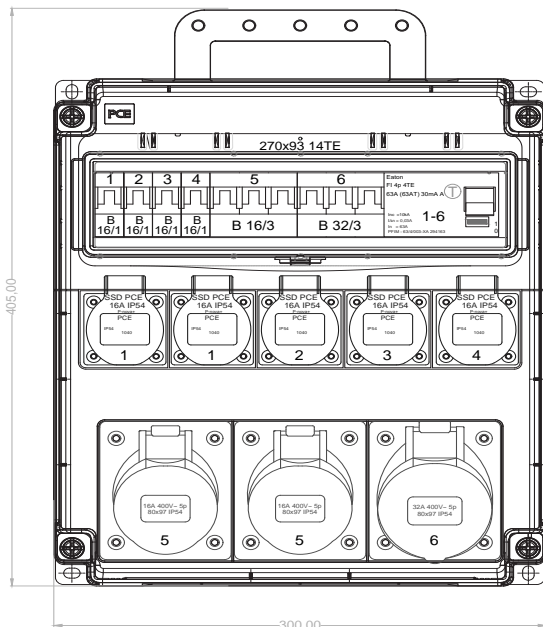


Cat. No. : 909210004WE

Equipment:

Enclosure	Dimensions HxWxD	Description
Type OPOLE-portable	405x300x128 mm	<p>Enclosure type OPOLE IP54, IP65/ IP66, IP67:</p> <ul style="list-style-type: none"> • straight cover, plastic handle, • one fuse window 14-module, with protection, • Vario connector L1,L2,L3,N,PE, rail TH35-7,5, • wired sockets, • RAL 7046 <p>1 x CEE 32A 5P 400V 2 x CEE 16A 5P 400V 5 x GS 16A 230V</p> <p>1 x MCB 32A 3p-B 1 x MCB 16A 3p-B 4 x MCB 16A 1p-B 1 x RCD 63A/4/0.03A</p>

Dimensions:



* It is possible to order distribution box with C-type protections on request.

OPOLE

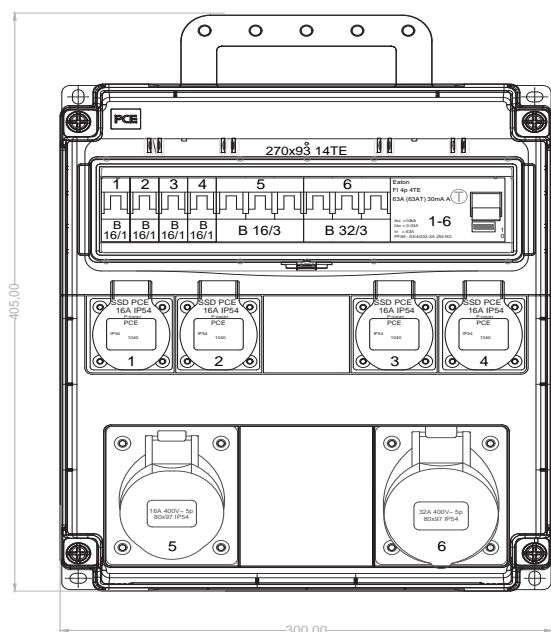
DISTRIBUTION BOX - STATIONARY AND MOBILE

Cat. No. : 909210005WE

Equipment:

Enclosure	Dimensions HxWxD	Description
Type OPOLE-portable	405x300x128 mm	<p>Obudowa typ OPOLE IP54, IP65/ IP66, IP67:</p> <ul style="list-style-type: none"> • straight cover, plastic handle, • one fuse window 14-module, with protection, • Vario connector L1,L2,L3,N,PE, rail TH35-7,5, • wired sockets, • RAL 7046 <p>1 x CEE 32A 5P 400V 1 x CEE 16A 5P 400V 4 x GS 16A 230V</p> <p>1 x MCB 32A 3p-B 1 x MCB 16A 3p-B 4 x MCB 16A 1p-B 1 x RCD 63A/4/0.03A</p>

Dimensions:



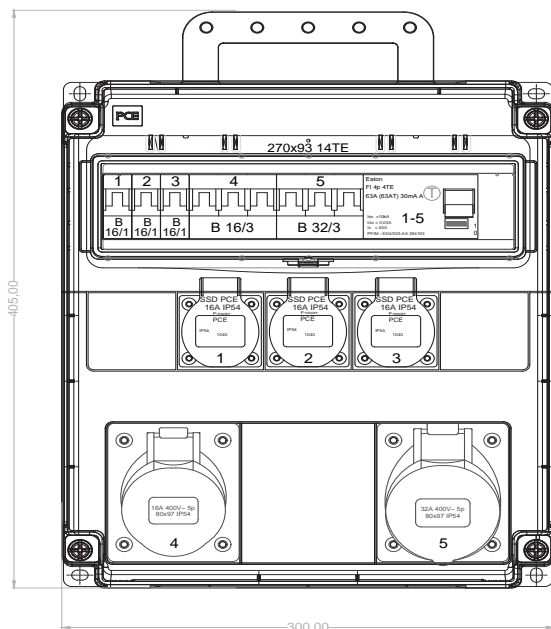
* It is possible to order distribution box with C-type protections on request.

Cat. No. : 909210006WE

Equipment:

Enclosure	Dimensions HxWxD	Description
Type OPOLE-portable	405x300x128 mm	<p>Obudowa typ OPOLE IP54, IP65/ IP66, IP67:</p> <ul style="list-style-type: none"> • straight cover, plastic handle, • one fuse window 14-module, with protection, • Vario connector L1,L2,L3,N,PE, rail TH35-7,5, • wired sockets, • RAL 7046 <p>1 x CEE 32A 5P 400V 1 x CEE 16A 5P 400V 3 x GS 16A 230V</p> <p>1 x MCB 32A 3p-B 1 x MCB 16A 3p-B 3 x MCB 16A 1p-B 1 x RCD 63A/4/0.03A</p>

Dimensions:



* It is possible to order distribution box with C-type protections on request.

PCE

Connection
to the future



www.pce.pl PCE Polska Sp. z o. o.
ul. Podwalna 8A
58-200 Dzierżoniów
POLSKA
TEL. +48 74 831 76 00
FAX +48 74 831 17 00
pce@pce.pl

08/2021

Technical changes and printing errors possible!

